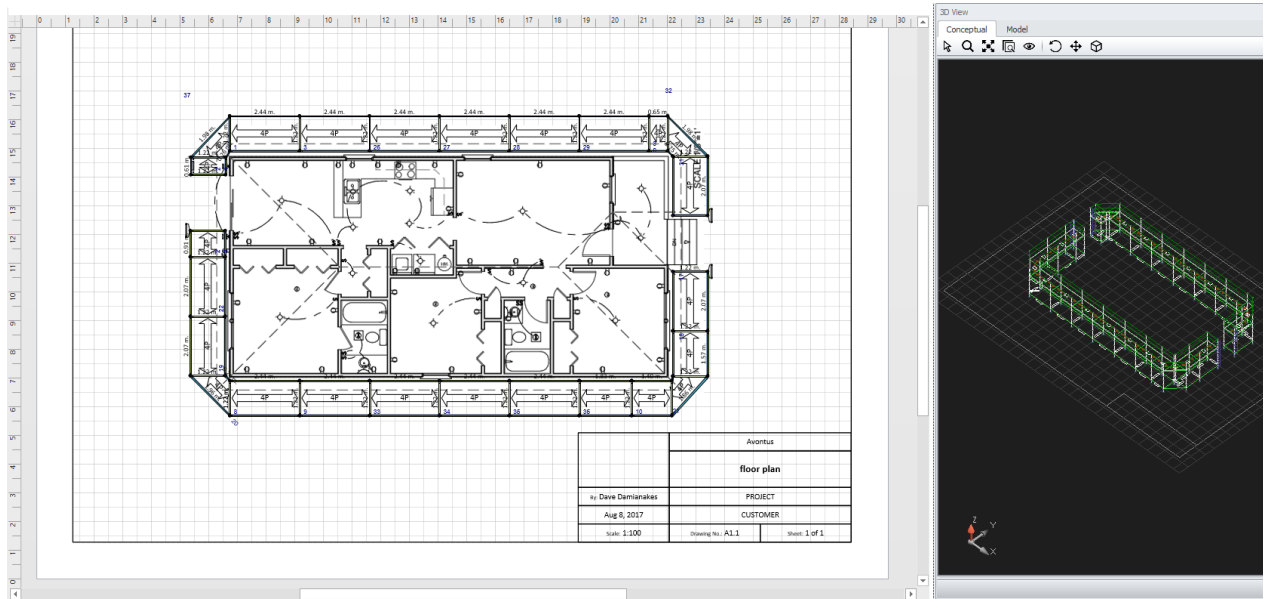


Uploading an Avontus Viewer Model

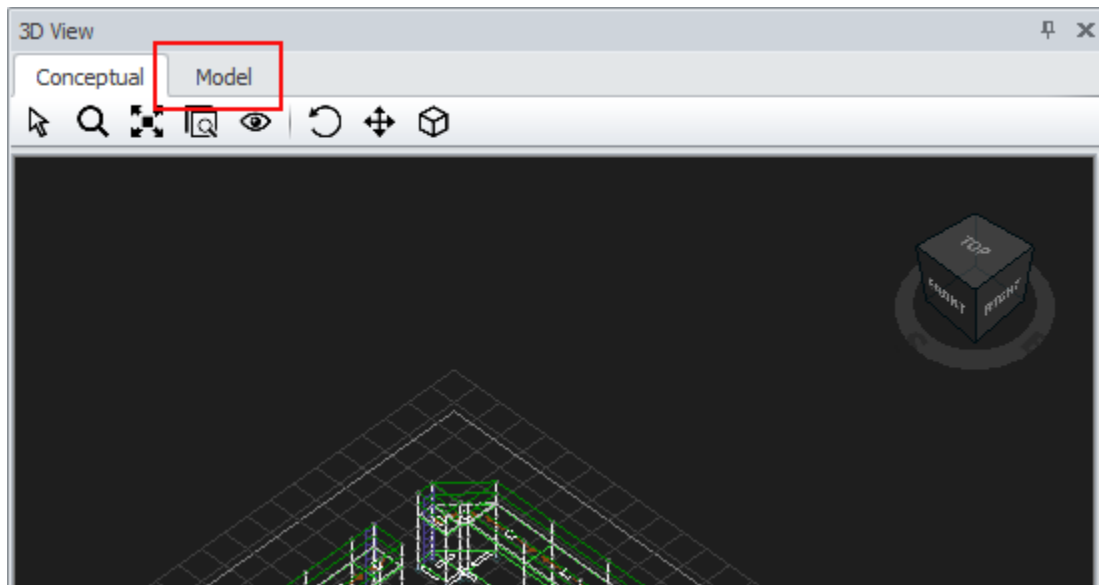
Once you have created an model, you can upload it and view it on your mobile device.

To upload a Avontus Viewer model:

1. If necessary, launch Avontus Designer and open the model you want to upload.

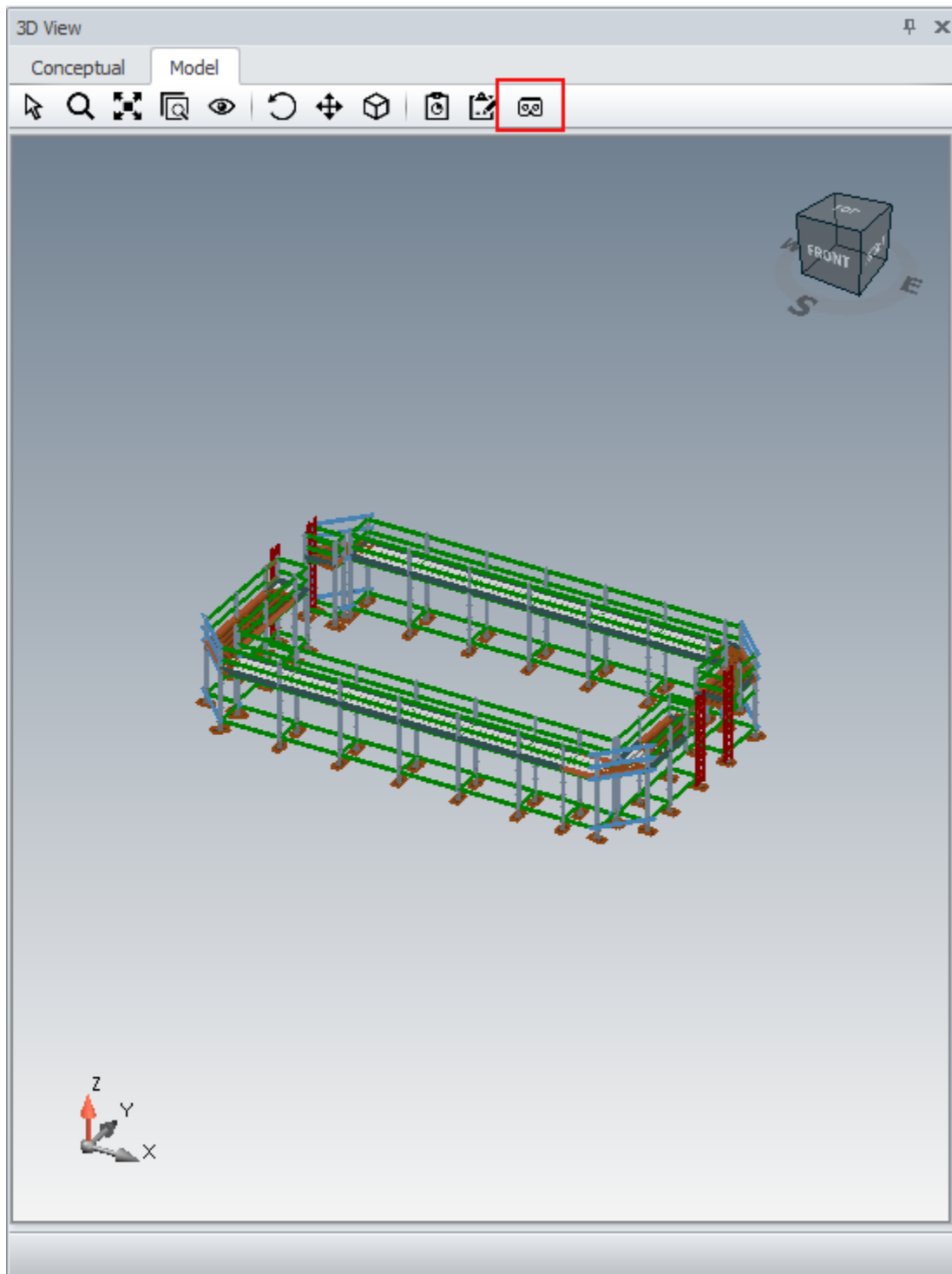


2. Click the **Model** tab in the 3D View window.



The window refreshes, displaying a 3D rendering the model.

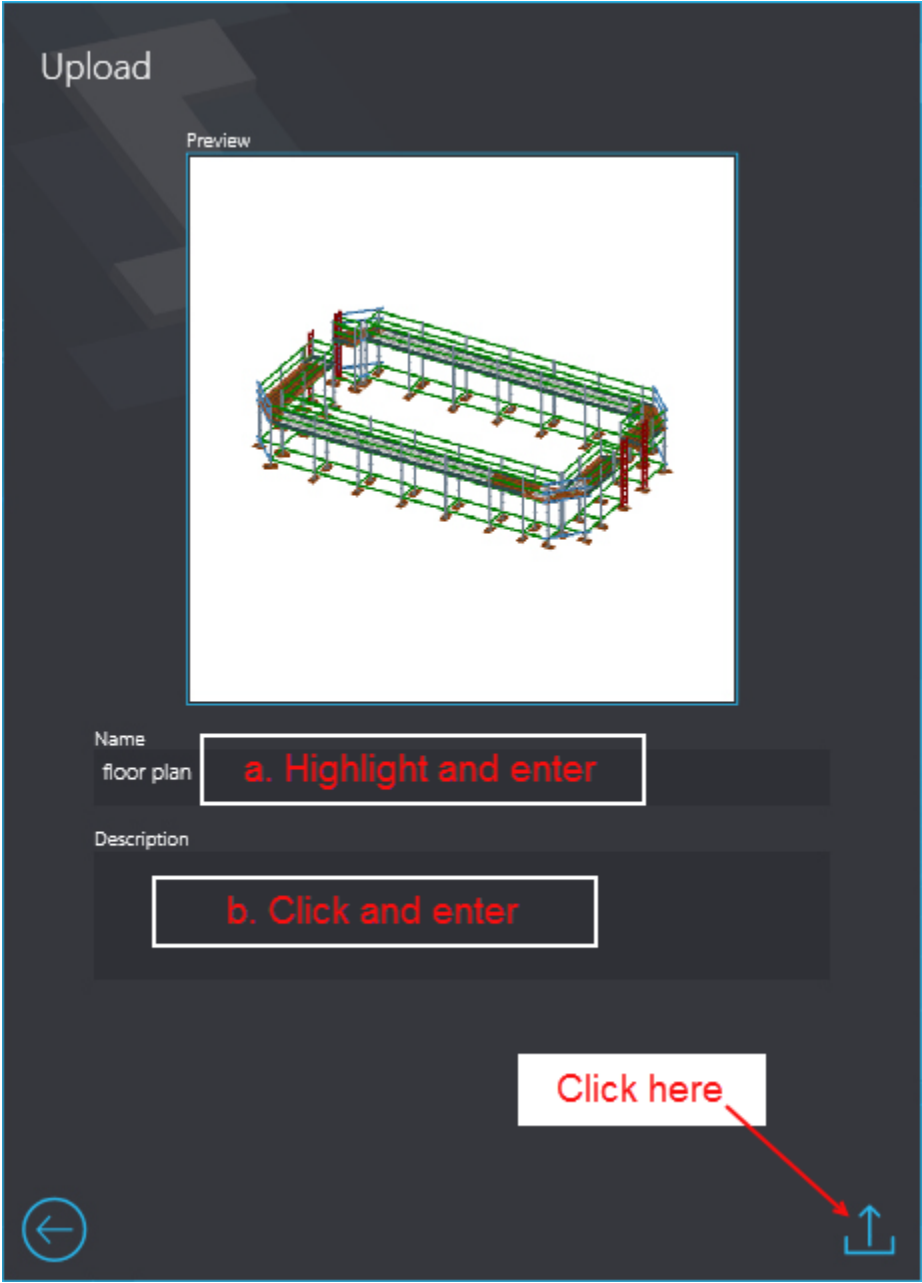
3. Click the **Avontus Viewer** icon (📱).



Avontus Viewer launches and displays the *Upload* dialog.

Note: If the *Log In* dialog appears instead, log in to Avontus Viewer and do step 3 again.

4. If you want to enter a new name and description:
 - a. Highlight the name in the **Name** text field and enter a new name.
 - b. Click in the **Description** text field and enter a short description of the model.
5. Click the **Upload** icon in the bottom left-hand corner of the dialog.



Avontus Viewer uploads the model and displays its name in the Avontus Viewer interface.